

High Torque Centre Clutch Plates

Ref: TNV

Issue date: 14 Dec 2004

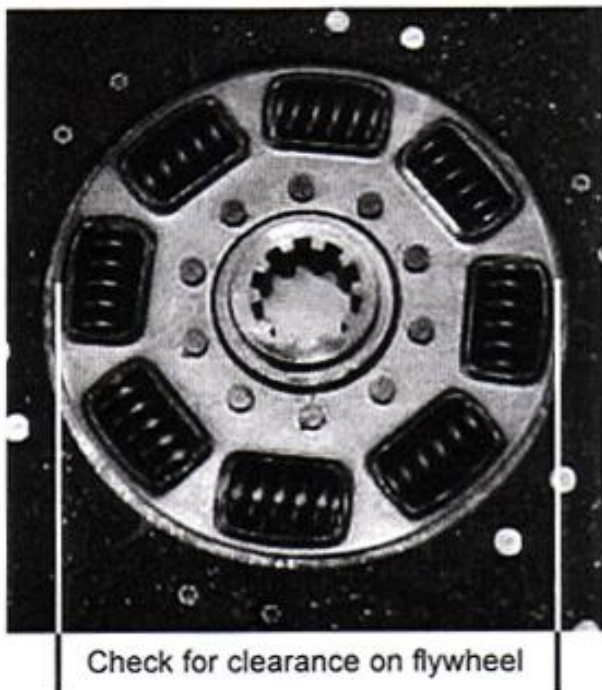
Issue number: 2

The spring centre of a high torque clutch disc is of a larger diameter. (Refer Fig. 1)

In some applications it can be too large and may foul on the inside diameter of the flywheel. (See Fig. 2)

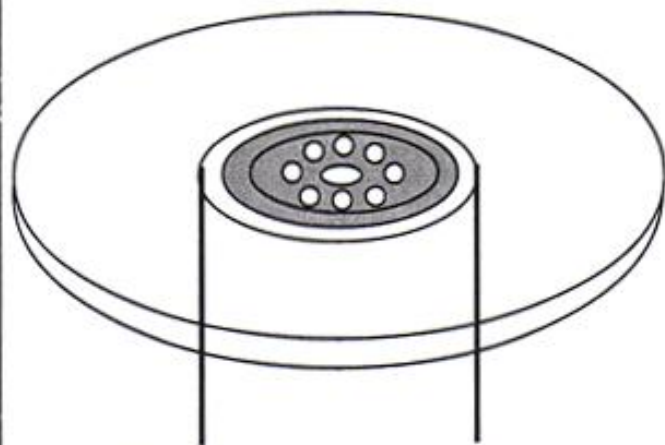
If this is the case, the flywheel will have to be machined out to a larger inside diameter to allow clearance for the larger center of the (high torque) clutch disc.

NOTE: it is the customer's responsibility to make sure that the high torque centre plate will not foul on any part of the flywheel.



Check for clearance on flywheel

Fig. 1



Check flywheel to make sure it clears clutch plate centre

Fig. 2